

SORTEO DOBLES

BENJAMÍN MASCULINO

| | | | | | |
|----|-------------------------|-----|-----|----------------------|----|
| 1 | BERZOSA, Daniel | CYL | AND | RECHE, Martin | 33 |
| | SAN MIGUEL, Marcos | CYL | AND | RINCÓN, Alonso | 34 |
| 2 | BYE | | | BYE | 35 |
| | BYE | | | BYE | 36 |
| 3 | CERVELLO, Marc | CAT | CAT | VAZQUEZ, Alejandro | 37 |
| | VILALLONGA, Nurjan | CAT | CAT | JENSEN, Gerard | 38 |
| 4 | ZABALLOS, Gonzalo | MAD | CAT | LLORENS, Angel | 39 |
| | VERA, Miguel | MAD | CAT | PALOMO, Victor | 40 |
| 5 | BORRA, Jorge | BAL | GAL | BLANCO, David | 41 |
| | MENDOZA, Yoel | CNR | GAL | RODRIGUEZ, Brais | 42 |
| 6 | BYE | | | BYE | 43 |
| | BYE | | | BYE | 44 |
| 7 | BYE | | | BYE | 45 |
| | BYE | | | BYE | 46 |
| 8 | VIVO, Alejandro | ARA | BAL | GONZALEZ, Pau | 47 |
| | FRAGO, Diego | ARA | BAL | FRAILE, Marcos | 48 |
| 9 | SOLANA, David | CTB | CAT | RUIZ, Eloi | 49 |
| | VALIENTE, Alvaro | CTB | CAT | FIGAROLA, Biel | 50 |
| 10 | BYE | | | BYE | 51 |
| | BYE | | | BYE | 52 |
| 11 | CLEMENTE, Ruben | CVA | CAT | OFERIL, Gerard | 53 |
| | MEROÑO, Marcos | CVA | CAT | TANG, Ruixiang | 54 |
| 12 | DE LAURENTIS, Guillermo | MAD | CAT | LLOBET, Arnau | 55 |
| | DE LAURENTIS, Sancho | MAD | CAT | BARLAM, Nil | 56 |
| 13 | COROMINA, Héctor | CAT | CAT | MAGRO, Xavier | 57 |
| | RICO, Xavier | CAT | CAT | PORTELL, Alex | 58 |
| 14 | MUNTADA, Bernat | CAT | CYL | DOMINGUEZ, Wengel | 59 |
| | MENA, Raul | CAT | CYL | SAN ISIDORO, Aaron | 60 |
| 15 | BYE | | | BYE | 61 |
| | BYE | | | BYE | 62 |
| 16 | CINTAS, Eric | CAT | CAT | MIRO LL., Marc | 63 |
| | MAS, Pol | CAT | CAT | VICENTE, Pau | 64 |
| 17 | GARCIA, Alejandro | MAD | CAT | LOPEZ, Adam | 65 |
| | LÓPEZ, Juan | MAD | CAT | MORA, Izani | 66 |
| 18 | BYE | | | BYE | 67 |
| | BYE | | | BYE | 68 |
| 19 | NOTARIO, Guillem | CAT | CAT | MORENO, Pol | 69 |
| | CABALLERO, Pol | CAT | CAT | RICARD, Roger | 70 |
| 20 | BOTUSAN, Daniel | BAL | CAT | ALTES, Joaquim | 71 |
| | GOMEZ, Marcos | BAL | CAT | VALLET, Diego | 72 |
| 21 | CONCHILLO, Enrique | AND | CTB | QUEVEDO, Nico | 73 |
| | RODRIGUEZ, Esteban | AND | MAD | JIN, Jannis Siyuan | 74 |
| 22 | BYE | | | CHICU, Radu | 75 |
| | BYE | | | MARTINEZ, Arnau | 76 |
| 23 | BYE | | | BYE | 77 |
| | BYE | | | BYE | 78 |
| 24 | BOBO, Pablo | CLM | NAV | BAUTISTA, Javier | 79 |
| | ABELLAN, Miguel | CLM | NAV | RODRIGUEZ, David | 80 |
| 25 | MOLINS, Cesc | CAT | AND | URQUIZAR, Hugo | 81 |
| | SANCHEZ, Lluc | CAT | AND | URQUIZAR, Iván | 82 |
| 26 | BYE | | | BYE | 83 |
| | BYE | | | BYE | 84 |
| 27 | BARO, Dimitry | CAT | | BYE | 85 |
| | ÁLVAREZ, Arturo | CAT | | BYE | 86 |
| 28 | JIMENEZ, Jorge | MAD | AND | HEVILLA, Ivan | 87 |
| | SORIA, Javier | MAD | AND | LOBATO, Jose Antonio | 88 |
| 29 | REJA, Hugo | CAT | CAT | PIERA, Pol | 89 |
| | CASES, Alex | CAT | CAT | CARRILLO, Ramon | 90 |
| 30 | SANCHEZ, Biel | CAT | CAT | IRELAND, Lluc | 91 |
| | TRIGO, Gerard | CAT | CAT | BORRELL, Biel | 92 |
| 31 | BYE | | | BYE | 93 |
| | BYE | | | BYE | 94 |
| 32 | COLINA, Aitor | CYL | MUR | SANCHEZ, Gabriel | 95 |
| | PEREZ, Sergio | EXT | CLM | GARCIA-MORENO, Jorge | 96 |

F I N A L

SORTEO DOBLES

BENJAMÍN FEMENINO

| | |
|----------------------|-----|
| HILARIO, Adara | CNR |
| SAAVEDRA, Elena Dian | CNR |
| TANG, Chenxin | CAT |
| CASANOVAS, Laia | CAT |

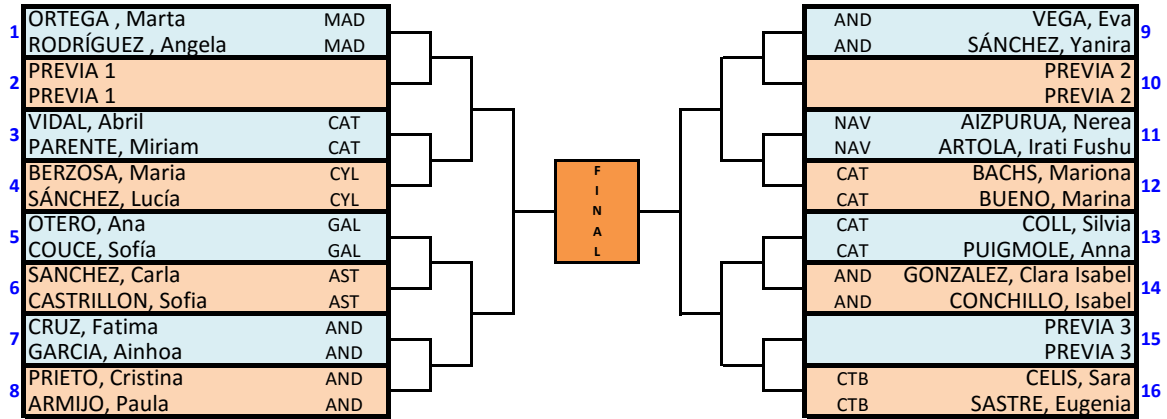
Previa 1

| | |
|-----|-----------------|
| MAD | PIN, Noelia |
| MAD | BENITEZ, Andrea |
| CAT | MACIA, Nuria |
| CAT | MARTI, Mariona |

Previa 3

| | |
|------------------|-----|
| GARCIA, Ainara | MUR |
| PAREDES, Carla | MUR |
| PANADES, Enrique | CAT |
| PANADES, Enrique | CAT |

Previa 2



SORTEO DOBLES

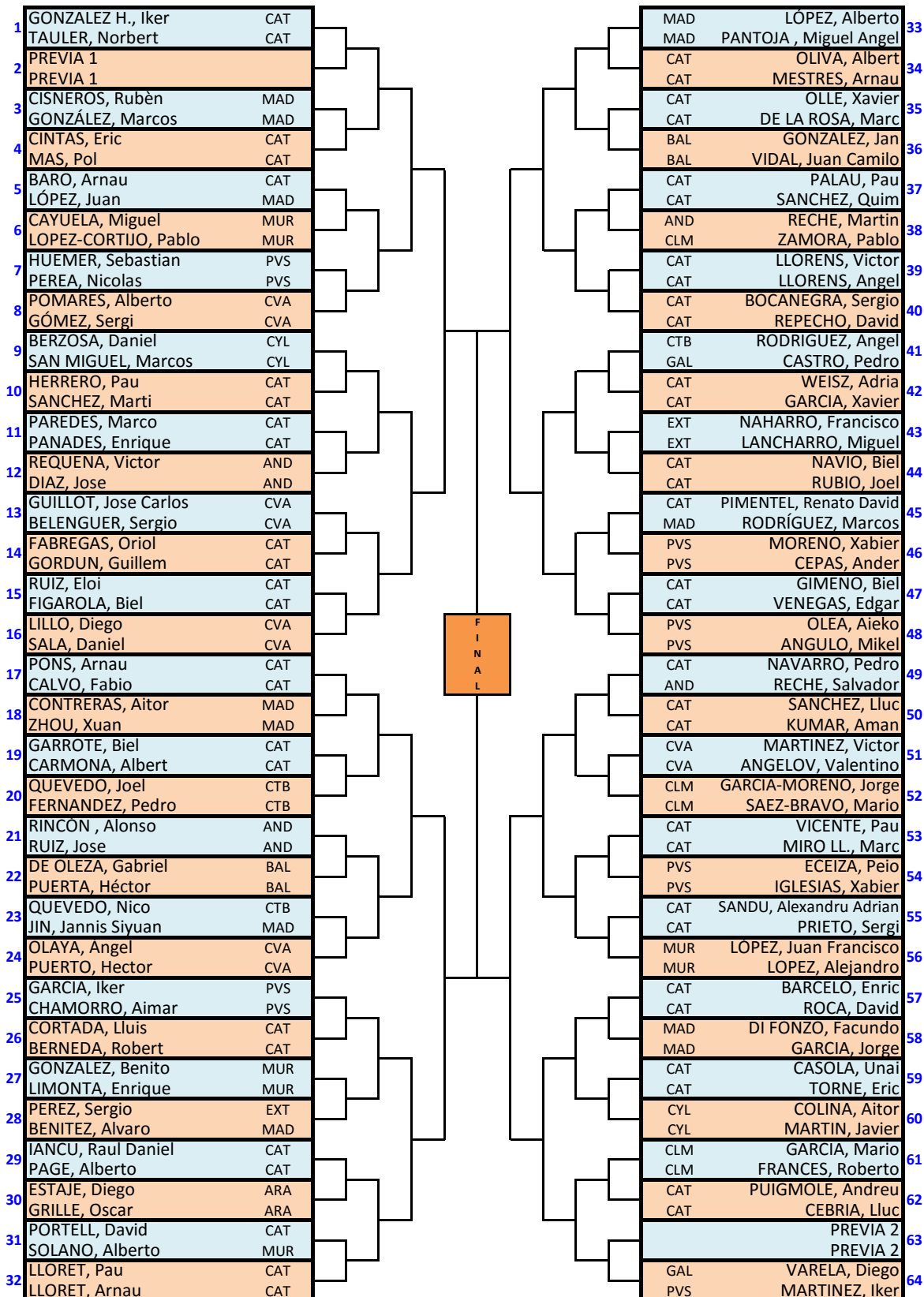
ALEVÍN MASCULINO

| | |
|--------------------|-----|
| MARTINEZ, Arnau | CAT |
| ROMAN, Hugo | CAT |
| MARTIN, Oscar | MAD |
| ESQUIVIAS, Ignacio | MAD |

Previa 1

| | |
|-----|-----------------|
| CAT | BARO, Arcadi |
| CAT | BOYE, Albert |
| ARA | ESTAJE, Andres |
| ARA | TARAVILLA, Ivan |

Previa 2



SORTEO DOBLES

ALEVÍN FEMENINO

| | | | | | | | |
|----|-----------------------|-----|--|-----|-------------------|--------------------------|----|
| 1 | LOPEZ, Maria | MAD | | CAT | GELPI, Carlota | 17 | |
| | CRISTOBAL, Ainhoa | MAD | | CAT | CURQUEJO, Claudia | 17 | |
| 2 | BYE | | | | BYE | 18 | |
| | BYE | | | | BYE | 18 | |
| 3 | PUIG, Merce | CAT | | | CVA | GIRBES, Lucia | 19 |
| | OLIVERA, Clara-Jonia | CAT | | | CVA | PRATS, Natalia | 19 |
| 4 | GOMEZ-VAZQUEZ, Lorena | MUR | | | AND | PRIETO, Cristina | 20 |
| | MARIN, Andrea | MUR | | | AND | GARCIA, Nuria | 20 |
| 5 | MARTINEZ, Sara | PVS | | | CAT | THOMSON, Linda Elisabeth | 21 |
| | GARCIA, June | PVS | | | CAT | HIGUERAS, Julia | 21 |
| 6 | PINEDA, Carla | CAT | | | AND | GONZALEZ, Clara Isabel | 22 |
| | MACH, Aina | CAT | | | CYL | GOMEZ, Lucia | 22 |
| 7 | FERNANDEZ, Lucía | MAD | | | CAT | MARTI, Mariona | 23 |
| | SIJIA, Jasmin | MAD | | | CAT | NAVARRO, Carla | 23 |
| 8 | PINTOS, Luisa | GAL | | | AND | AGUAYO, Lucia | 24 |
| | DOPICO, Itziar | AST | | | AND | LOPEZ, Lucia | 24 |
| 9 | CHAVES, Andrea | MAD | | | CAT | RIERA, Jana | 25 |
| | TUR, Marina | MAD | | | CAT | PEREZ, Claudia | 25 |
| 10 | VIDAL, Abril | CAT | | | GAL | LOPEZ, Aroa | 26 |
| | BAUS, Lidia Yun | CAT | | | GAL | LOPEZ, Sabela | 26 |
| 11 | DE LA MATA, Ana | MAD | | | CAT | BACHS, Mariona | 27 |
| | MARTÍNEZ, Candela | MAD | | | CAT | BUENO, Marina | 27 |
| 12 | AROMI, Anna | CAT | | | EXT | GARCIA, Laura | 28 |
| | SOLANS, Edna | CAT | | | EXT | POZO, Natalia | 28 |
| 13 | SANCHEZ, Marina | AND | | | CVA | GABALDON, Alejandra | 29 |
| | SÁNCHEZ, Yanira | AND | | | CVA | CARRION, Martina | 29 |
| 14 | FERRER, Andrea | CAT | | | CAT | GUTIERREZ, Judith | 30 |
| | COLL, Silvia | CAT | | | CAT | PEÑARANDO, Marta | 30 |
| 15 | BYE | | | | | BYE | 31 |
| | BYE | | | | | BYE | 31 |
| 16 | RAD, Elvira Fiona | CYL | | | AND | FERNANDEZ, Mercedes | 32 |
| | DELGADO, Celia | CYL | | | AND | PEDREGOSA, Ana | 32 |

SORTEO DOBLES

INFANTIL MASCULINO (CUADRO FINAL PARTE 1 DE 2)

| | | | | | |
|----|--------------------------|-----|-----|-------------------------|----|
| 1 | GRAU, Sergi | CAT | AND | RUIZ, Francisco Miguel | 65 |
| | VALERO, Javier | MUR | CYL | NUÑEZ, Miguel | |
| 2 | BYE | | | BYE | 66 |
| | BYE | | | BYE | |
| 3 | GARROTE, Biel | CAT | CAT | SAEZ, Antoni | 67 |
| | CARMONA, Albert | CAT | CAT | CARBONELL, Marc | |
| 4 | TARDIO, Moises | CLM | BAL | PUERTA, Leo | 68 |
| | REYES, Pablo | AND | BAL | ALEXANDRE, Marc | |
| 5 | BOCANEGRA, Sergio | CAT | CTB | LORENZO, Cristian | 69 |
| | PASCUAL, Marc | CAT | CTB | SÁNCHEZ, Alejandro | |
| 6 | BAEZ, Manuel | MAD | CAT | RUIZ, Joan | 70 |
| | FERNANDEZ, Guillermo | MAD | CAT | SENPAU, Marc | |
| 7 | CALVA, David | CTB | CVA | POMARES, Alberto | 71 |
| | MARTIN, Alex | CTB | CVA | GÓMEZ, Sergi | |
| 8 | BAIDEZ, Javier | CVA | CAT | FERNANDEZ, Ivan | 72 |
| | LILLO, Diego | CVA | CAT | MIRO G., Marc | |
| 9 | GARCIA, David | MAD | CAT | BLANCAFORT, Josep Maria | 73 |
| | SEVILLA, Miguel Angel | MAD | ARA | IBAÑEZ, Miguel Angel | |
| 10 | BYE | | | BYE | 74 |
| | BYE | | | BYE | |
| 11 | ALVAREZ, Sergio | MAD | CAT | BARCELO, Joan | 75 |
| | ALVAREZ, Alejandro | MAD | CAT | MOLES, Jan | |
| 12 | PONS, Arnau | CAT | CVA | TIRADO, Daniel | 76 |
| | PIMENTEL, Renato David | CAT | CVA | CABALLERO, Ivan | |
| 13 | BIBILONI, Francesc | BAL | MAD | HERREZUELO, Pablo | 77 |
| | GOMEZ, Albert Josep | BAL | MAD | MIÑANO, Hayuk | |
| 14 | DOMINGUEZ, Ian | CAT | CAT | TORRES, Noel | 78 |
| | KUMAR, Aman | CAT | CAT | RAMIREZ, Sergi | |
| 15 | BYE | | | BYE | 79 |
| | BYE | | | BYE | |
| 16 | LOPEZ, Daniel | AND | AND | CUESTA, Guillermo | 80 |
| | LOPEZ, Antonio Pablo | AND | AND | RODRÍGUEZ, Alberto | |
| 17 | ANTEQUERA, Adrian | AND | GAL | DIZ, Javier | 81 |
| | VIVANCOS, Francisco | AND | GAL | VARELA, Diego | |
| 18 | BYE | | | BYE | 82 |
| | BYE | | | BYE | |
| 19 | NAVARRO, Mario | CAT | MAD | GONZALEZ, Oscar | 83 |
| | RAMON, Pol | CAT | MAD | GONZÁLEZ, Marcos | |
| 20 | GUILLEM, Mario Francisco | CVA | CAT | AGUILERA, Alex | 84 |
| | RODRIGO, Ernest | CVA | CAT | PRAT, Eduard | |
| 21 | CASAL, Simon | GAL | CAT | MENENDEZ, Marius | 85 |
| | CEBREIRO, Mario | GAL | CAT | WEISZ, Jordi | |
| 22 | PUIG, Joan | CAT | CTB | FERNANDEZ, Pedro | 86 |
| | GEBELLI, Joan | CAT | MAD | ZIXIANG, Wei | |
| 23 | BYE | | | BYE | 87 |
| | BYE | | | BYE | |
| 24 | SANCHEZ, Juan Pedro | MUR | CAT | VILLA, Albert | 88 |
| | ORTEGA, Santiago | CLM | PVS | MARTINEZ, Iker | |
| 25 | GOMEZ, Raul | CYL | CAT | LLORET, Arnau | 89 |
| | IZKUE, Mikel | NAV | CAT | LLORET, Pau | |
| 26 | PERETO, Arnau | CAT | MAD | HERRERO, Hugo | 90 |
| | SANCHEZ, Eric | CAT | MAD | DIEZ, Sergio | |
| 27 | DE OLEZA, Gabriel | BAL | MAD | CISNEROS, David | 91 |
| | PUERTA, Héctor | BAL | MAD | CISNEROS, Rubèn | |
| 28 | SANS, Guillem | CAT | CVA | SERRANO, Adrián | 92 |
| | FELIU, Albert | CAT | CVA | OLAYA, Ángel | |
| 29 | MUNTADA, Roger | CAT | CVA | DELGADO, Juan | 93 |
| | THOMSON, Stuart Scott | CAT | CVA | MORERA, Marc | |
| 30 | LANCHARRO, Miguel | EXT | MUR | SEVILLA, Alvaro | 94 |
| | BENITEZ, Alvaro | MAD | MUR | DIAZ, Antonio | |
| 31 | BYE | | | BYE | 95 |
| | BYE | | | BYE | |
| 32 | TORRES, Andres | GAL | AND | GAINZA, Alvaro | 96 |
| | HERRANZ, Gonzalo | MAD | AND | PEREZ, Juan | |

SORTEO DOBLES

INFANTIL MASCULINO (CUADRO FINAL PARTE 2 DE 2)

| | | | | | |
|----|-----------------------|-----|-----|----------------------|-----|
| 33 | PELACHS, Marti | CAT | CLM | NARANJO, Santiago | 97 |
| | BAHI, Sergi | CAT | CLM | POMMIER, Adria | |
| 34 | BYE | | | BYE | 98 |
| | BYE | | | BYE | |
| 35 | INGLIS, Nil | CAT | PVS | SUAREZ, Erik | 99 |
| | MARIMON, Magi | CAT | PVS | ALCUTEN, Arkaitz | |
| 36 | OLEA, Aieko | PVS | CAT | SANCHEZ, Quim | 100 |
| | ANGULO, Mikel | PVS | CAT | FRANCESCH, Arnau | |
| 37 | LEON, Carlos | NAV | CAT | MARTINEZ, Marc | 101 |
| | GONZALEZ, Telmo | NAV | CAT | LLORENTE, Eloi | |
| 38 | RODRIGUEZ, Carlos | CAT | AND | RUIZ, Jose | 102 |
| | BARRAU, Rafael | CAT | AND | FERREIRA, Roberto | |
| 39 | IANCU, Raul Daniel | CAT | MUR | LOZANO, Javier | 103 |
| | PAGE, Alberto | CAT | MUR | CAYUELA, Miguel | |
| 40 | LOPEZ, Alberto | MAD | CAT | MANYA, Nil | 104 |
| | PANTOJA, Miguel Angel | MAD | CAT | GARCIA, Jan | |
| 41 | ZHOU, Chang | MAD | PVS | MANCHA, Hodei | 105 |
| | GOMEZ, Victor | MAD | PVS | LASA, Miguel | |
| 42 | BYE | | | BYE | 106 |
| | BYE | | | BYE | |
| 43 | TORRECILLAS, Javier | AND | NAV | SANCHEZ, Abel | 107 |
| | REQUENA, Victor | AND | NAV | EQUIZA, Miguel | |
| 44 | RAMOS, Alejandro | MAD | CAT | CALVILLO, Izan | 108 |
| | CAMPOS, Ignacio | MAD | CAT | ROCAMORA, Andreu | |
| 45 | FABRA, Jesús Julián | AND | CAT | MARTINEZ, Xavier | 109 |
| | GARCIA, Julio | AND | CAT | ROJO, Ivan | |
| 46 | GARCIA, Iker | PVS | GAL | CASTRO, Pedro | 110 |
| | ECEIZA, Peio | PVS | GAL | RECUNA, Marcelo | |
| 47 | BYE | | | BYE | 111 |
| | BYE | | | BYE | |
| 48 | GARCIA-MORENO, Sergio | CLM | CAT | VILARDELL, Albert | 112 |
| | SALAZAR, Diego | AST | CAT | BARCELO, Enric | |
| 49 | TAULER, Norbert | CAT | MUR | MENDEZ, Santiago | 113 |
| | GONZALEZ H., Iker | CAT | MUR | MENDEZ, Domingo | |
| 50 | BYE | | | BYE | 114 |
| | BYE | | | BYE | |
| 51 | RODRIGUEZ, Angel | CTB | CAT | MASEGOSA, Abel | 115 |
| | HERRERO, Saul | CTB | CAT | JANÉ, Marc | |
| 52 | REVERTE, Jose Luis | MUR | MAD | ROMERO, Adrian | 116 |
| | SANCHEZ, Victor | MUR | MAD | VERA, Enrique | |
| 53 | PARDO, Alexander | PVS | MAD | CALLE, Mario | 117 |
| | OLAZABAL, Juan | PVS | MAD | LÓPEZ, David | |
| 54 | MARTINEZ, Anotnio | MAD | GAL | BODEGA, Pedro | 118 |
| | SAIZ, Tomás | MAD | GAL | GONZALEZ, Nicolas | |
| 55 | BYE | | | BYE | 119 |
| | BYE | | | BYE | |
| 56 | CABALLERO, Raul | CTB | BAL | FRAILE, Noe | 120 |
| | QUEVEDO, Joel | CTB | BAL | TUDURI, Antoni | |
| 57 | ENGUIX, Javier | CYL | MAD | IMEDIO, José Antonio | 121 |
| | MARTINEZ, Alberto | CYL | MAD | PIMENTEL, Marcos | |
| 58 | GONZALEZ, Jan | BAL | CAT | FENG, Zhen | 122 |
| | DIAZ, Alejandro | BAL | CAT | ROMAN, Hugo | |
| 59 | ORTUÑO, Santiago | MAD | MAD | GRADOLPH, Pablo | 123 |
| | BONET, Nicolás | MAD | MAD | FERNANDEZ, Guillermo | |
| 60 | EDO, Jordi | CAT | CAT | CARRETERO, Niran | 124 |
| | MORA, Gerard | CAT | CAT | OLIVERAS, Gabriel | |
| 61 | RECHÉ, Salvador | AND | MAD | GÓMEZ, Víctor | 125 |
| | CELAYA, Manuel | AND | MAD | SIERRA, Israel | |
| 62 | ALCUTEN, Gaizka | PVS | CAT | FERRE, Guillem | 126 |
| | ARRONIZ, Julen | PVS | CAT | VECIANA, Pol | |
| 63 | BYE | | | BYE | 127 |
| | BYE | | | BYE | |
| 64 | POMARES, Juan Carlos | CVA | CVA | LILLO, Alberto | 128 |
| | MORENO, Raúl | CVA | CVA | GUTIÉRREZ, Marc | |

SORTEO DOBLES

INFANTIL FEMENINO

| | |
|--------------------------|-----|
| PUIG, Merce | CAT |
| THOMSON, Linda Elisabeth | CAT |
| HERNANDEZ, Brenda | CNR |
| FERNANDEZ, Marta | CNR |

Previa 1

| | |
|-----|-----------------------|
| MUR | GOMEZ-VAZQUEZ, Irene |
| MUR | GOMEZ-VAZQUEZ, Lorena |
| GAL | LOPEZ, Aroa |
| GAL | LOPEZ, Andrea |

Previa 2

| | | |
|----|----------------------|-----|
| 1 | MIRAMONTES, Natalia | BAL |
| | RUIZ, Emma | CVA |
| 2 | PREVIA 1 | |
| | PREVIA 1 | |
| 3 | SAGARDIA, Elene | PVS |
| | MARTINEZ, Sara | PVS |
| 4 | LLADONOSA, Gemma | CAT |
| | SOLANS, Vinyet | CAT |
| 5 | GUTIERREZ, Paula | MAD |
| | CHAVES, Andrea | MAD |
| 6 | ALTES, Natalia | CAT |
| | TORRES, Anna | CAT |
| 7 | OLIVERA, Clara-Jonia | CAT |
| | ARENAS, Clara | CAT |
| 8 | GORDO, Andrea | MAD |
| | LOPÉZ, Maria | MAD |
| 9 | VERTIZ, Ana | AND |
| | LORENTE, Marina | AND |
| 10 | VIRGILI, Alba | CAT |
| | AROMI, Anna | CAT |
| 11 | GELPI, Carlota | CAT |
| | CURQUEJO, Claudia | CAT |
| 12 | AMOR, Andrea | GAL |
| | CHAVES, Mariña | GAL |
| 13 | GEBELLI, Nuria | CAT |
| | TEODORO, Mar | CAT |
| 14 | FERNANDEZ, Lucía | MAD |
| | SIJIA, Jasmin | MAD |
| 15 | CASAL, Carla | GAL |
| | HOLGADO, Estela | GAL |
| 16 | MOGAS, Aina | CAT |
| | PARENTE, Elena | CAT |

F
I
N
A
L

| | | |
|----|-----|----------------------|
| 17 | AND | HENARES, Carmen |
| | AND | GARCÍA, Nerea |
| 18 | CAT | SALANOVA, Abril |
| | CAT | OLIVERAS, Laura |
| 19 | CVA | TENZA, Elena |
| | CNR | PALMERO, Paula |
| 20 | CAT | PALOMO, Marina |
| | CAT | HIGUERAS, Julia |
| 21 | AND | LOZANO, Carmen |
| | AND | OLIVARES, Eva María |
| 22 | MAD | DE LA MATA, Ana |
| | MAD | MARTIN, Miriam |
| 23 | BAL | SASTRE, Francisca |
| | AND | GARCIA, Maria |
| 24 | GAL | CANAY, Claudia Maria |
| | GAL | MARTÍN, Helena |
| 25 | AND | PÉREZ, Andrea |
| | AND | RODRIGUEZ, Isabel |
| 26 | BAL | BORRA, Paula |
| | PVS | RIVERA, Ane |
| 27 | CVA | BREVA, Adriana |
| | CVA | COLOMO, Marta |
| 28 | CAT | RIERA, Jana |
| | CAT | PEREZ, Claudia |
| 29 | CTB | HERRERO, Celia |
| | CTB | GARCÍA, Muriel |
| 30 | AND | GARCIA, Nuria |
| | AND | LOPEZ, Lucia |
| 31 | | PREVIA 3 |
| | | PREVIA 3 |
| 32 | CAT | RICO, Lidia |
| | CAT | PERETO, Mireia |

SORTEO DOBLES

JUVENIL MASCULINO (CUADRO FINAL PARTE 1 DE 2)

| | | | | | | | |
|----|-----------------------|-----|--|--|-----|------------------------|----|
| 1 | CANO, Rodrigo | MAD | | | CAT | MASIP, Joan | 65 |
| | PRIETO, Santiago | GAL | | | CAT | MATSUOKA, Albert Kenji | |
| 2 | BYE | | | | | BYE | 66 |
| | BYE | | | | | BYE | |
| 3 | MESTA, Javier | CAT | | | MAD | ALVAREZ, Sergio | 67 |
| | NOGUERO, Alex | CAT | | | MAD | MIÑANO, Hayuk | |
| 4 | FERNANDEZ, Victoriano | MUR | | | CAT | FLORES, Victor | 68 |
| | MARCOS, Daniel | MUR | | | CAT | PUIGMAL, Oriol | |
| 5 | AVILA, Daniel | MAD | | | CTB | SAIZ, Alfonso | 69 |
| | GORDO, Ruben | MAD | | | CTB | FERNANDEZ, Guillermo | |
| 6 | XIA, Wenlong | CAT | | | CAT | OBRADORS, Arnau | 70 |
| | SOLARTE, Edson Yamir | CAT | | | CAT | MAZCUÑAN, Pau | |
| 7 | GÓMEZ, Víctor | MAD | | | CAT | MENA, Daniel | 71 |
| | SIERRA, Israel | MAD | | | CAT | VILLA, Albert | |
| 8 | LILLO, Alberto | CVA | | | CVA | POMARES, Juan Carlos | 72 |
| | GUTIÉRREZ, Marc | CVA | | | CVA | MORENO, Raúl | |
| 9 | AYUSO, Angel | MAD | | | PVS | PRESTO, Adrian | 73 |
| | MORATA, Jaime | MAD | | | PVS | GARCIA, Mikel | |
| 10 | LLIMOS, Oscar | CAT | | | CAT | GARCIA, Jan | 74 |
| | VAN RIET, Pol | CAT | | | CAT | MANYA, Nil | |
| 11 | MORA, Izani | CAT | | | BAL | PUERTA, Leo | 75 |
| | PONS, Roger | PVS | | | BAL | ALEXANDRE, Marc | |
| 12 | MASIP, Francesc Josep | CAT | | | CAT | MIRO, Roger | 76 |
| | MARTINEZ, Abel | CAT | | | CAT | CASADEVALL, Xavier | |
| 13 | BUSQUETS, Ferran | CAT | | | CAT | LLAMAS, Ismael | 77 |
| | MIRO, Aleix | CAT | | | CAT | ROCAMORA, Andreu | |
| 14 | ZHOU, Chang | MAD | | | PVS | POMPOSO, Aritz | 78 |
| | GÓMEZ, Víctor | MAD | | | PVS | ARROZPIDE, Inigo | |
| 15 | INSAUSTI, Aimar | PVS | | | BAL | BELMAN, Alejandro | 79 |
| | OLAZABAL, Juan | PVS | | | BAL | GARCIA, Alejandro | |
| 16 | FRADERA, Jordi | CAT | | | AND | AVILA, Ricardo | 80 |
| | LARIO, Oriol | CAT | | | AND | CRISTOBAL, Jesús | |
| 17 | GRAU, Sergi | CAT | | | GAL | REGUEIRO, Pablo Uxió | 81 |
| | VALERO, Javier | MUR | | | GAL | OTERO, Santiago | |
| 18 | DIAZ, David | CNR | | | BAL | GÓMEZ, Albert Josep | 82 |
| | ESPINOSA, Bernabé | CNR | | | BAL | BIBILONI, Francesc | |
| 19 | PERONA, Ignasi | CAT | | | CAT | MONTANEZ, Xavier | 83 |
| | FOLCH, Bernat | CAT | | | CAT | RUIZ, Gabriel | |
| 20 | PAVÓN, Alvaro | EXT | | | CVA | GONZALEZ, Adrian | 84 |
| | MARTINEZ, Angel Jesus | EXT | | | CVA | ESCRIG, Martin | |
| 21 | NARANJO, Santiago | CLM | | | CAT | FERNANDEZ, Ivan | 85 |
| | POMMIER, Adria | CLM | | | CAT | FERNANDEZ, Cristian | |
| 22 | COLL, Arnau | CAT | | | BAL | PALAZON, Adrian | 86 |
| | THOMSON, Stuart Scott | CAT | | | BAL | VIDAL, Tomeu | |
| 23 | FREIXAS, Irieix | CAT | | | MAD | HERREZUELO, Pablo | 87 |
| | LLORENTE, Eloi | CAT | | | MAD | ALVAREZ, Alejandro | |
| 24 | NUNEZ, Miguel | CYL | | | CYL | KONSTANTINIDIS, Loukas | 88 |
| | ARRANZ, Diego | CYL | | | CYL | SANZ, Daniel | |
| 25 | GARCIA, Juan Carlos | MAD | | | CYL | GÓMEZ, Daniel | 89 |
| | DE LAS HERAS, Rafael | MAD | | | NAV | VIDAURRE, José Ignacio | |
| 26 | RIERA, Ferran | CAT | | | BAL | GUIRADO, Alberto | 90 |
| | MENDIETA, Didac | CAT | | | BAL | MORENO, Erik Juan | |
| 27 | CALDERONI, Adriano | BAL | | | CYL | BARRIUSO, Miguel | 91 |
| | GONZALEZ, Diego | BAL | | | CAT | RODRIGUEZ, Adria | |
| 28 | CABALLERO, Raul | CTB | | | MUR | FERNANDEZ, Antonio | 92 |
| | LÓPEZ, Jesús | MAD | | | MUR | ALARCÓN, Enrique | |
| 29 | GONZALEZ, Pere | CAT | | | CAT | SALAS, Albert | 93 |
| | LUQUE, Gabriel | CAT | | | CAT | FLORES, Marc | |
| 30 | PARAMO, Carlos | CLM | | | MAD | OBREGON, Gonzalo | 94 |
| | ALMAGRO, Francisco | CLM | | | MAD | LOMBAN, Juan | |
| 31 | BYE | | | | | BYE | 95 |
| | BYE | | | | | BYE | |
| 32 | SORIA, Javier | MAD | | | AND | ALIAGA, Alberto | 96 |
| | JIMENEZ, Jorge | MAD | | | AND | CUESTA, Esteban | |

SORTEO DOBLES

JUVENIL MASCULINO (CUADRO FINAL PARTE 2 DE 2)

| | | | | | | | |
|----|------------------------|-----|--|--|-----|---------------------------|-----|
| 33 | MOLINA, Miguel | MUR | | | CVA | MARTINEZ, Gorgonio | 97 |
| | OLMEDO, Alberto | MUR | | | CVA | RODILLA, Javier | |
| 34 | BYE | | | | | BYE | 98 |
| | BYE | | | | | BYE | |
| 35 | BANOS, Sergio | EXT | | | AND | ARANDA, Juan Bautista | 99 |
| | RAMOS, Pablo | EXT | | | AND | MIRAS, Adrián | |
| 36 | RUIZ, Ivan | CAT | | | CAT | PLAZA, Albert | 100 |
| | SAYAGO, Alex | CAT | | | CAT | BASART, Jaume | |
| 37 | REDONDO, Manel | CAT | | | CVA | BELENGUER, Javier | 101 |
| | RODRIGUEZ, Boris | CAT | | | CVA | PRATS, Pablo | |
| 38 | GAINZA, Alvaro | AND | | | CAT | MUNOZ, Isaac | 102 |
| | PEREZ, Juan | AND | | | CAT | CUCCINIELLO, Carlos | |
| 39 | FRAILE, Noe | BAL | | | PVS | PAMPLIEGA, Aritz | 103 |
| | TUDURI, Antoni | BAL | | | PVS | MANCHA, Hodei | |
| 40 | ALEGRET, Senen | CAT | | | CAT | BARCELO, Pau | 104 |
| | CABRERO, David | CAT | | | CAT | ARAGALL, Nil | |
| 41 | CESTER, Pablo | BAL | | | MAD | DE LA MORENA, David | 105 |
| | LOPEZ-BRAVO, Jaime | MAD | | | MAD | SANCHEZ, Roberto | |
| 42 | WEISZ, Jordi | CAT | | | CAT | MARSAL, Josep | 106 |
| | MENENDEZ, Marius | CAT | | | CAT | CERETO, Marc | |
| 43 | MARTINEZ, Carlos | CVA | | | GAL | BODEGA, Pedro | 107 |
| | SERRANO, Adrián | CVA | | | GAL | GONZALEZ, Nicolas | |
| 44 | IZQUIERDO, Manuel | MAD | | | CAT | ZAMORA, Dani | 108 |
| | CURIEL, Daniel | MAD | | | CAT | AVILES, David | |
| 45 | ORTIZ, Miguel | MUR | | | MAD | DE LA MATA, Jorge | 109 |
| | GONZALEZ, Manuel | MUR | | | MAD | SANCHO, David | |
| 46 | CHAPA, Victor | CAT | | | CAT | MONGE, Miquel | 110 |
| | | | | | CAT | MARTORELL, Alex | |
| 47 | IZKUE, Mikel | NAV | | | MAD | RIVERO, Sergio | 111 |
| | LEÓN, Carlos | NAV | | | MAD | IMEDIO, José Antonio | |
| 48 | DELGADO, Israel | CNR | | | GAL | IGLESIAS, Anxo | 112 |
| | ROMAN, Javier | AND | | | GAL | PINTOS, Martin | |
| 49 | CASADO, Enric | CAT | | | PVS | GUERRICABEITIA, Jon Ander | 113 |
| | UBEDA, Adria | CAT | | | AND | RUIZ, Francisco Miguel | |
| 50 | SALAZAR, Diego | AST | | | BAL | GARCIA, Javier | 114 |
| | GARCIA-MORENO, Sergio | CLM | | | BAL | MOYA, Pedro Javier | |
| 51 | LARA, Marc | CAT | | | CAT | MINCA, Adria | 115 |
| | OLLE, Alex | CAT | | | CAT | PEREZ, Adria Marc | |
| 52 | ARACIL, Salvador | MUR | | | BAL | LOPEZ, German | 116 |
| | VERA, Victor | MUR | | | CAT | CASTRO, Daniel | |
| 53 | BLANCO, Roger | CAT | | | AND | FABRA, Jesús Julián | 117 |
| | FARRES, Albert | CAT | | | MUR | MARTÍNEZ, Javier | |
| 54 | MUNOZ, Julio Alejandro | EXT | | | CAT | MARTINEZ, Marc | 118 |
| | RODRIGUEZ, Jaime | EXT | | | CAT | BAHI, Sergi | |
| 55 | NOVELL, Ferran | CAT | | | CVA | FERNANDEZ, Raul | 119 |
| | PASCUAL, Marc | CAT | | | CVA | RODRIGO, Ernest | |
| 56 | FERNANDEZ, Pedro | GAL | | | MAD | BAILON, Daniel | 120 |
| | HERRANZ, Gonzalo | MAD | | | MAD | RODRÍGUEZ, José Julián | |
| 57 | ROCA, Arnau | CAT | | | CAT | PELACHS, Marti | 121 |
| | FERNANDEZ, Adria | CAT | | | CAT | QUESADA, Guillem | |
| 58 | LOPEZ, Daniel | AND | | | CAT | MONELL, Nil | 122 |
| | LOPEZ, Antonio Pablo | AND | | | CAT | MUNTADA, Roger | |
| 59 | YU, Jordi | CAT | | | GAL | DIZ, Javier | 123 |
| | RODRIGUEZ, Oscar | CAT | | | GAL | CANAY, Borja | |
| 60 | ROSSELLO, Gabriel | BAL | | | CAT | MATARO, Edgar | 124 |
| | GARCIA, Vicent | BAL | | | CAT | SALLANT, Marc | |
| 61 | GAINZA, Alejandro | AND | | | CAT | VILARDELL, Albert | 125 |
| | GARCIA, Julio | AND | | | CAT | PERETO, Arnau | |
| 62 | CARBONELL, Narcis | CAT | | | MAD | GARCIA, David | 126 |
| | BUXEDA, Joan | CAT | | | MAD | SEVILLA, Miguel Angel | |
| 63 | BYE | | | | | BYE | 127 |
| | BYE | | | | | BYE | |
| 64 | PEREZ, Ivan David | CVA | | | CYL | VEDRIEL, Carlos | 128 |
| | SEGUI, Victor | CVA | | | CYL | SAEZ, Rafael | |

SORTEO DOBLES

JUVENIL FEMENINO

| | | |
|------------------|-----|------------|
| PALOMARES, Irene | CLM | } Previa 1 |
| CRISTOBAL, Elena | CLM | |
| CHAVES, Leyre | PVS | |
| SAGARDIA, Elene | PVS | |

| | | | | | | |
|----|--------------------------------|-----|-------------|-----|-------------------------|----|
| 1 | CAYMEL, Claudia | CAT | } F I N A L | CVA | NIGUEZ, Marina | 17 |
| | GARCÍA, Ana | CAT | | CVA | RUIZ, Emma | |
| 2 | PREVIA 1 | | | MAD | BEJARANO, Celia | 18 |
| | PREVIA 1 | | | MAD | GONZALEZ, Ana | |
| 3 | PÉREZ, Andrea | AND | | GAL | ESTEVEZ, Valentina | 19 |
| | RODRIGUEZ, Isabel | AND | | CAT | DELGADILLO, Irene | |
| 4 | FERNANDEZ, Natalia | GAL | | MAD | FERNANDEZ, Sandra | 20 |
| | ZAMORANO, Catalina Miranda | CAT | | MAD | SILES, Patricia | |
| 5 | ALEJO, Alejandra | AND | | AND | RODRIGUEZ, Carmen | 21 |
| | VÉRTIZ, Ana | AND | | AND | ROMERO, Marta | |
| 6 | GONZALEZ, Lara | GAL | | CAT | MOGAS, Aina | 22 |
| | COBELO, M ^a Diandra | GAL | | CAT | PARENTE, Elena | |
| 7 | PALOMO, Marina | CAT | | MAD | SANZ, Yaiza | 23 |
| | VIDAL, Andrea | CAT | | MAD | MEJIAS, Laura | |
| 8 | ENRIQUEZ, Yolanda | AND | | GAL | SANUDO, Belen | 24 |
| | HENARES, Carmen | AND | | GAL | FERNANDEZ, Laura | |
| 9 | PÉREZ, Raquel | MAD | | MAD | MATELLANES, Aitana | 25 |
| | CIFUENTES, Mireia | MAD | | MAD | MARTIN, Maria Del Pilar | |
| 10 | MUNOZ, Noa | CAT | | BAL | PEREZ, Laura | 26 |
| | PÉREZ, Marta | CAT | | BAL | LOPEZ-BRAVO, Celia | |
| 11 | MARTIN, Miriam | MAD | | BAL | MIRAMONTES, Natalia | 27 |
| | DIAZ, Valeria | MAD | | MAD | GUTIERREZ, Paula | |
| 12 | GARCIA, Pilar | CVA | | CAT | RICO, Lidia | 28 |
| | HERNANDEZ, Carla | CVA | | CAT | PERETO, Mireia | |
| 13 | MARTIN, Beatriz | PVS | | AND | FLOR, Rosalia | 29 |
| | MARTINEZ, Sara | PVS | | AND | PEDROSA, Lucia | |
| 14 | ALVAREZ, Silvia | GAL | | MAD | CASILLAS, Sara | 30 |
| | PADIN, Paula | GAL | | CVA | ENGUIX, Carolina | |
| 15 | GUERRERO, Camila | CVA | | CAT | TEODORO, Mar | 31 |
| | MORCILLO, Sara | CVA | | CAT | GEBELLI, Nuria | |
| 16 | FERNANDEZ, Alba | CAT | | GAL | COBAS, Judith | 32 |
| | MATAS, Nuria | CAT | | GAL | CALVO, Belen | |

SORTEO DOBLES

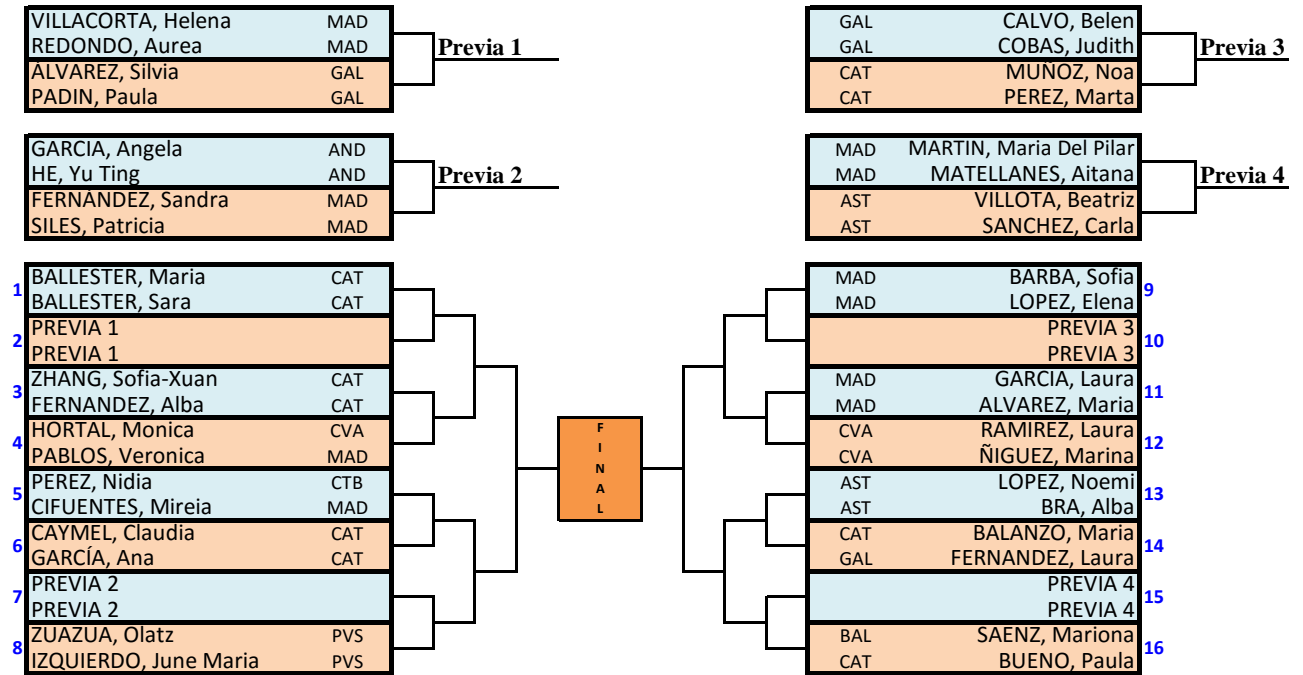
SUB23 MASCULINO

| | | | | | | | |
|----|---------------------------|-----|--|--|-----|-----------------------|----|
| 1 | BENITO, Javier | MAD | | | MAD | FRANCO, Carlos | 33 |
| | ALVAREZ, Moises | GAL | | | MAD | CANO, Rodrigo | 34 |
| 2 | FOLCH, Bernat | CAT | | | CAT | SOLE, Guillem | 34 |
| | PERONA, Ignasi | CAT | | | CAT | CALDERO, Eric | 35 |
| 3 | CASTRO, Daniel | CAT | | | MAD | GONZALEZ, Benedicto | 35 |
| | ALCARAZ, Joan | CAT | | | MAD | LOZANO, Manuel | 36 |
| 4 | EXPOSITO, Borja Daniel | CNR | | | CTB | ROJO, Luis Miguel | 36 |
| | PADILLA, Carlos | CNR | | | CTB | RABAGO, Javier | 37 |
| 5 | MATSUOKA, Albert Kenji | CAT | | | CAT | FOLCH, Marti | 37 |
| | MUÑOZ, Miquel | CAT | | | CAT | VILARDELL, David | 38 |
| 6 | DE LA MATA, Jorge | MAD | | | MAD | RAMIREZ, Christian | 38 |
| | MORATA, Jaime | MAD | | | MAD | ZAMORANO, Sergio | 39 |
| 7 | ALMENDROS, Anibal | CAT | | | CAT | FRADERA, Jordi | 39 |
| | REINA, Carles | CAT | | | CAT | LARIO, Oriol | 40 |
| 8 | VEDRIEL, Carlos | CYL | | | MAD | GARCIA-ROMEU, Emilio | 40 |
| | SAEZ, Rafael | CYL | | | MAD | LOZANO, Pablo | 41 |
| 9 | CALVO, Alejandro | AND | | | PVS | VALLEJO, Eder | 41 |
| | VILCHEZ, Miguel Angel | MAD | | | AST | GARCIA, Jonathan Jose | 42 |
| 10 | RODRIGUEZ, Adria | CAT | | | CAT | FOLCH, Pau | 42 |
| | RIBOSA, Jesus | CAT | | | CAT | CANO, Ferran | 43 |
| 11 | ARAGALL, Nil | CAT | | | CAT | PEDEMONTE, Joaquim | 43 |
| | BARCELO, Pau | CAT | | | CAT | MARTINEZ, Abel | 44 |
| 12 | SORIA, Javier | MAD | | | BAL | BOLUDA, Juan Carlos | 44 |
| | JIMENEZ, Jorge | MAD | | | BAL | BIBILONI, Juan | 45 |
| 13 | GONZALEZ, Antonio | CYL | | | CAT | RAMOS, Miquel | 45 |
| | PEÑA, Daniel | CYL | | | CAT | ARMENGOL, Josep | 46 |
| 14 | SOLSONA, Eduard | CAT | | | AST | RODRIGUEZ, Hodei | 46 |
| | AVILA, Felix | CAT | | | AST | RIERA, David | 47 |
| 15 | PRESTO, Adrian | PVS | | | CAT | TUDELA, Ferran | 47 |
| | GARCIA, Mikel | PVS | | | CAT | RIBERA, Albert | 48 |
| 16 | MORATO, Adrian | MAD | | | PVS | PALACIOS, Daniel | 48 |
| | CABALLERO, Carlos | MAD | | | MAD | GONZALEZ, Eduardo | 49 |
| 17 | CASARES, Rafael | MAD | | | CAT | MALLORQUI, Adria | 49 |
| | SÁNCHEZ, Borja | MAD | | | ARA | LUÑO, Alberto | 50 |
| 18 | MONGE, Miquel | CAT | | | CAT | RUIZ, Ivan | 50 |
| | MUÑOZ, Isaac | CAT | | | CAT | SAYAGO, Alex | 51 |
| 19 | AYUSO, Angel | MAD | | | CAT | HILARI, Julio | 51 |
| | GONZALEZ, Jorge | MAD | | | CAT | RIMBAU, Joaquim | 52 |
| 20 | ENA, Jose Augusto | PVS | | | GAL | PINTOS, Martin | 52 |
| | ALVAREZ, Jose Luis | PVS | | | GAL | IGLESIAS, Anxo | 53 |
| 21 | GONZALEZ, Endika | PVS | | | GAL | REGUEIRO, Pablo Uxio | 53 |
| | GUERRICABEITIA, Jon Ander | PVS | | | GAL | OTERO, Santiago | 54 |
| 22 | REDONDO, Manel | CAT | | | CAT | BOCANEGRA, Alexander | 54 |
| | RODRIGUEZ, Boris | CAT | | | CAT | FERNANDEZ, Adria | 55 |
| 23 | HERNANDEZ, Ruben | MAD | | | CAT | FARRES, Albert | 55 |
| | GONZALEZ, Jorge | MAD | | | CAT | BLANCO, Roger | 56 |
| 24 | PORTA, Raul | CAT | | | MAD | SOLA, Hector Frank | 56 |
| | MASIP, Joan | CAT | | | MAD | RAMIREZ, Ruben | 57 |
| 25 | PRADOS, Antoni | CAT | | | CAT | PERAL, Xavier | 57 |
| | LATORRE, Jordi | CAT | | | CAT | RAMOS, Yordi Jason | 58 |
| 26 | CURIEL, Daniel | MAD | | | MAD | FERNANDEZ, Antonio | 58 |
| | IZQUIERDO, Manuel | MAD | | | MAD | AYUSO, Gabriel | 59 |
| 27 | BELMAN, Alejandro | BAL | | | PVS | INSAUSTI, Aimar | 59 |
| | VIDAL, Tomeu | BAL | | | PVS | HERNANI, Aritz | 60 |
| 28 | BARRENECHE, Alvaro | CAT | | | CAT | LLANO, Joan | 60 |
| | LOPEZ, Adria | CAT | | | CAT | PASTOR, Albert | 61 |
| 29 | LOPEZ, Jesús | MAD | | | MAD | MONCHO, Pablo | 61 |
| | CAMACHO, Anthony | MAD | | | MAD | GARRIDO, Alberto | 62 |
| 30 | GARCIA, Jordi | CAT | | | CAT | UBEDA, Adria | 62 |
| | ESPINO, Daniel | CAT | | | CAT | CASADO, Enric | 63 |
| 31 | MIRO, Roger | CAT | | | CAT | LLORENS, David | 63 |
| | CASADEVALL, Xavier | CAT | | | CAT | RICO, Alex | 64 |
| 32 | SANMARTIN, Marcos | GAL | | | MAD | CHAMORRO, Miguel | 64 |
| | DOMINGUEZ, Carlos | GAL | | | MAD | SÁNCHEZ, Diego | |

F
I
N
A
L

SORTEO DOBLES

SUB 23 FEMENINO



SORTEO DOBLES

ABSOLUTO MASCULINO

| | | | | | | | |
|----|-----------------------------|-------|--|--|-----|----------------------------|----|
| 1 | CANTERO, Jesus | MUR | | | MAD | MARTINEZ, Guillermo | 33 |
| | MACHADO, Carlos David | AND | | | MAD | RUIZ, Jose Manuel | |
| 2 | BYE | | | | | BYE | 34 |
| | BYE | | | | | BYE | |
| 3 | PORTILLO, Daniel | MAD | | | BAL | BOLUDA, Juan Carlos | 35 |
| | REQUENA, Juan Pedro | MAD | | | BAL | BIBILONI, Juan | |
| 4 | DOT, Jordi | CAT | | | CAT | WEISZ, Pere | 36 |
| | LEGARRA, Xabier | PVS | | | CAT | CAYMEL, Ismael | |
| 5 | MICHELENA, Aitor | PVS | | | AND | PEREZ, Alvaro | 37 |
| | ANTON, Josep | CAT | | | AND | PEREZ, Andres | |
| 6 | SANCHEZ, Joan | CAT | | | CAT | MARTINEZ, Arcadio | 38 |
| | SOLSONA, Eduard | CAT | | | CAT | OBREGON, Joan | |
| 7 | BYE | | | | | BYE | 39 |
| | BYE | | | | | BYE | |
| 8 | GONZALEZ, Eduardo | MAD | | | MAD | CASARES, Rafael | 40 |
| | LUÑO, Alberto | ARA | | | MAD | SANCHEZ, Borja | |
| 9 | BRUGADA, Ferran | CAT | | | MAD | CHAMORRO, Miguel | 41 |
| | CLOTET, Marc | CAT | | | MAD | SANCHEZ, Diego | |
| 10 | BYE | | | | | BYE | 42 |
| | BYE | | | | | BYE | |
| 11 | LOPEZ, Cesar | MAD | | | MUR | CABEZAS, Reinier | 43 |
| | LOPEZ, Jorge | MAD | | | MUR | MONTALBAN, Jose Antonio | |
| 12 | PORTA, Raul | CAT | | | GAL | MARTIN, Anxo | 44 |
| | PRADOS, Antoni | CAT | | | GAL | VIDAL, Adrian | |
| 13 | CAYMEL, Marc | BAL | | | CAT | GAJU, Pau | 45 |
| | ALCAÑIZ, Alfonso | BAL | | | CAT | GRAU, Sergi | |
| 14 | JOFRE, Jaume | CAT | | | CAT | MORATO, Eduard | 46 |
| | SUÑE, Manel | CAT | | | EXT | RODRIGUEZ, Joaquin Enrique | |
| 15 | BYE | | | | | BYE | 47 |
| | BYE | | | | | BYE | |
| 16 | FRANCO, Carlos | MAD | | | CYL | AUSIN, Jorge | 48 |
| | MORATO, Adrian | MAD | | | CYL | VEDRIEL, Carlos | |
| 17 | VIDAL, Jaime | PVS | | | CAT | PERAL, Xavier | 49 |
| | PALACIOS, Daniel | PVS | | | CAT | RAMOS, Yordi Jason | |
| 18 | BYE | | | | | BYE | 50 |
| | BYE | | | | | BYE | |
| 19 | CLIVILLE, Ramon | CAT | | | CNR | EXPOSITO, Borja Daniel | 51 |
| | FOLCH, Marti | CAT | | | CNR | CAMACHO, Jesús | |
| 20 | CUESTA, Eduardo | MAD | | | PVS | VALLEJO, Eder | 52 |
| | CABALLERO, Carlos | MAD | | | PVS | FERNANDEZ, Juan Luis | |
| 21 | SAGUER, Jordi | CAT | | | MAD | TORDESILLAS, Juan Antonio | 53 |
| | MUNTADA, Jaume | CAT | | | MAD | GONZÁLEZ, Benedicto | |
| 22 | VALDIVIELSO, Carlos Alberto | MAD | | | CAT | FOLCH, Pau | 54 |
| | IMEDIO, José Antonio | MAD | | | CAT | CANO, Ferran | |
| 23 | BYE | | | | MAD | GARRIDO, Angel | 55 |
| | BYE | | | | MAD | ROMAN, Javier | |
| 24 | GARCIA-ROMEU, Emilio | MAD | | | CAT | LATORRE, Jordi | 56 |
| | LOZANO, Pablo | MAD | | | CAT | ANDRADE, Josep Lluís | |
| 25 | SANCHO, Libre | CVA | | | GAL | ALVAREZ, Moises | 57 |
| | TABOADA, Rafael | GAL | | | MAD | BENITO, Javier | |
| 26 | BYE | | | | | BYE | 58 |
| | BYE | | | | | BYE | |
| 27 | GARCIA, Gabriel | CVA | | | CAT | HILARI, Julio | 59 |
| | POZUELO, Jose Manuel | CVA | | | CAT | RIMBAU, Joaquim | |
| 28 | FERNANDEZ, Antonio | MAD | | | GAL | SANMARTIN, Marcos | 60 |
| | AYUSO, Gabriel | MAD | | | GAL | DOMINGUEZ, Carlos | |
| 29 | CALVO, Alejandro | AND | | | PVS | ENA, Jose Augusto | 61 |
| | VILCHEZ, Miguel Angel | MAD | | | PVS | ALVAREZ, Jose Luis | |
| 30 | PLA, Joaquim | CAT | | | GAL | PETTERSON, Eric Jesus | 62 |
| | VINUESA, Victor | CAT | | | MAD | ECHANOVE, Ramon | |
| 31 | BYE | | | | | BYE | 63 |
| | BYE | | | | | BYE | |
| 32 | DIEZ, Endika | PVS | | | CAT | DURAN, Marc | 64 |
| | ROBLES, Alvaro | RFETM | | | CAT | MONZO, Oriol | |

F
I
N
A
L

SORTEO DOBLES

ABSOLUTO FEMENINO

